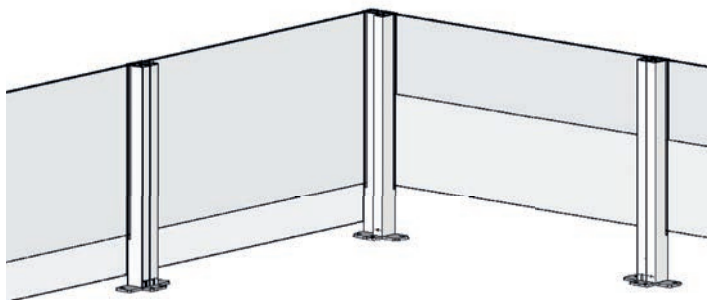


# ClickitUp® Inside 1100

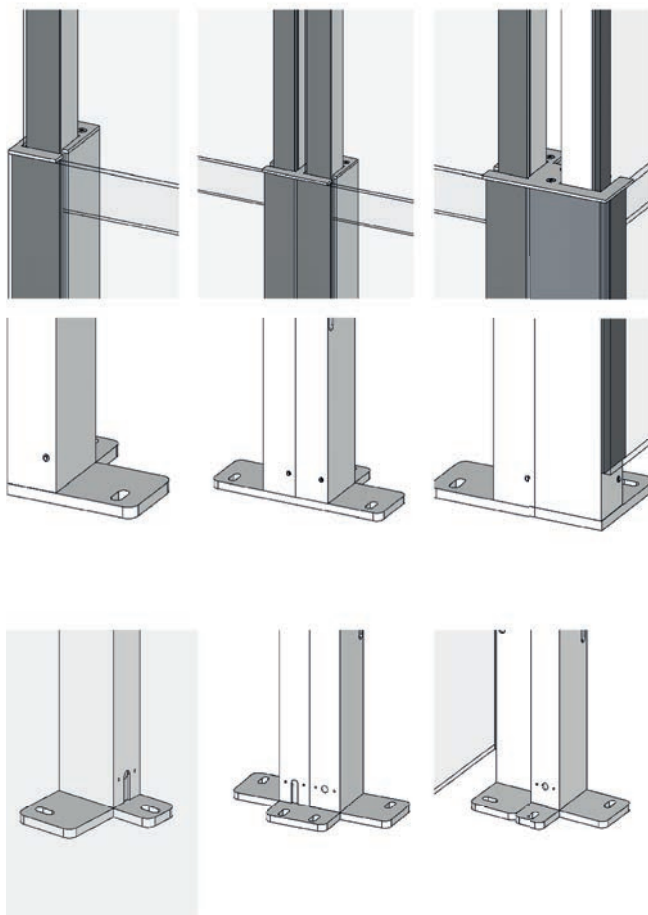
**Product type**  
**Location**

Height adjustable glass balustrade  
Ground level

**ErgoSafe®**  
FLEXIBLE GLASS SOLUTIONS



ClickitUpInside is available in two variants. It is the fixed lower glass that is the difference between the variants.



## Description

Height adjustable glass balustrade

## Safety

ClickitUp is CE marked according to the machinery directive 2006/42/EC. The balustrade must not be installed where there is a risk of falling.

## Manufacturing method

Structural glazing is used to fit the glass to the aluminium posts UV bonding to create 90-degree angles of glass.

## Drive mechanism

The system employs semi-automatic gas strut technology that raises the movable section

## Baseplate mounts

Baseplate mounts are available as single, double and corner variants.

## Cover caps

Cover caps are available as single, double and corner variants.

## Material

Glass, aluminium and stainless steel

## Glass fixed section/Glass movable section

Toughened glass 8 mm/Toughened glass 6 mm

## Height lowered balustrade/ Height raised position

1100 mm/1900 mm or 1200 mm/2000 mm

## Width measurement straight section

Max 2000 mm

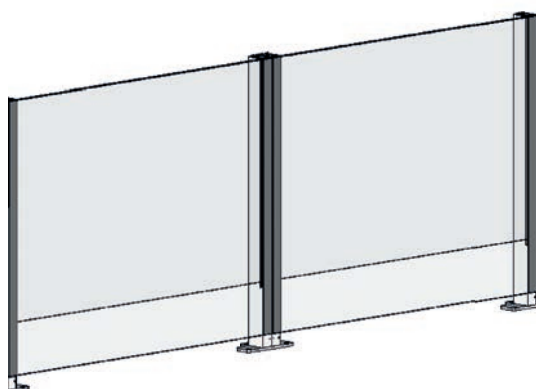
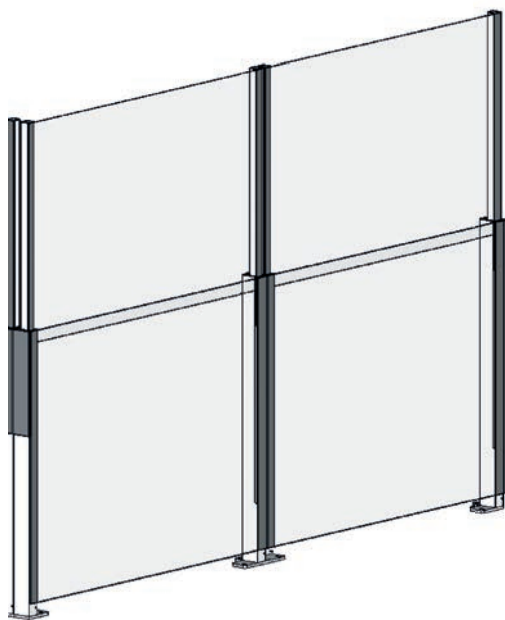
## Surface treatment

Natural anodised as standard. As an option at an additional charge, black anodised or powder coated in a RAL colour

## Installation

ClickitUp® sections are supplied ready-assembled. Sections are linked together during installation to form a system with the help of double cover caps and double baseplate mounts.

# ClickitUp<sup>®</sup> Inside 1100



ClickitUp<sup>®</sup>  
by ErgoSafe<sup>®</sup>